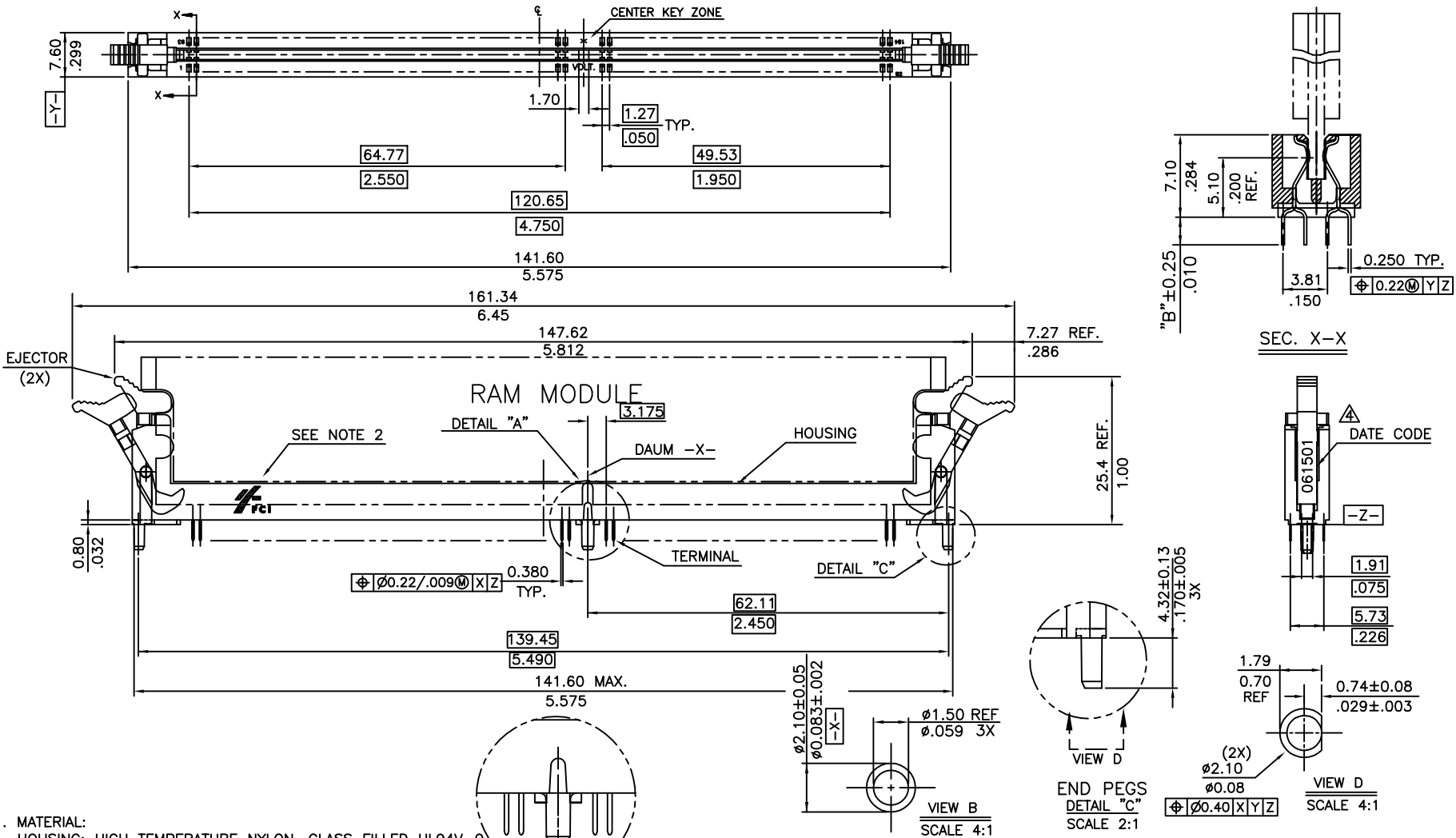


All rights strictly reserved. Reproduction or issue to third parties in any form whatever is not permitted without written authority from the proprietor. Property of FCI. Copyright FCI.

Tous droits strictement réservés. Reproduction ou communication a des tiers interdite sous quelque forme que ce soit sans autorisation écrite du propriétaire. Propriété de c FCI. Droits de reproduction FCI.

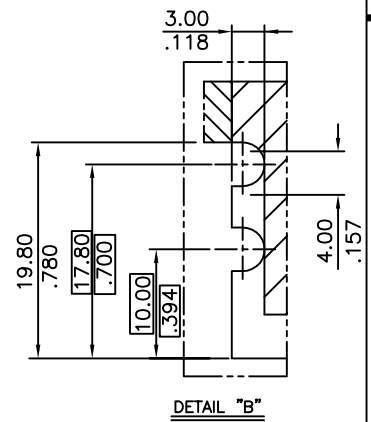
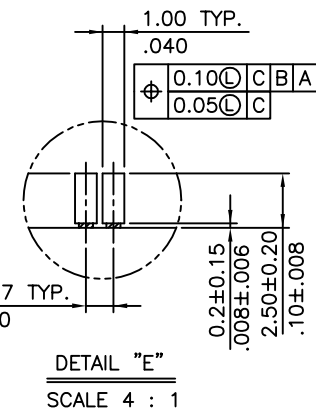
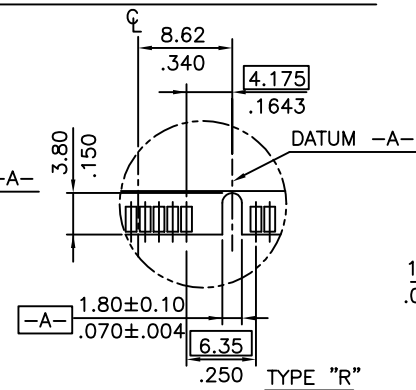
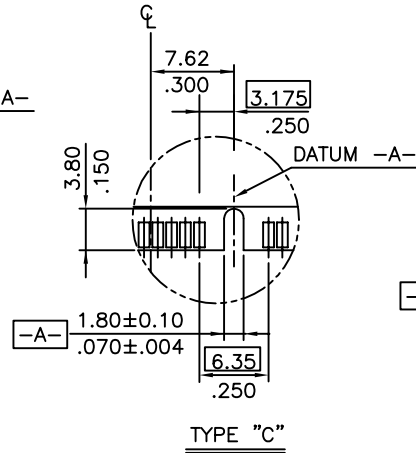
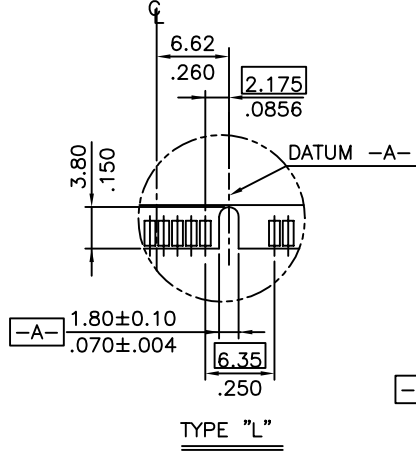
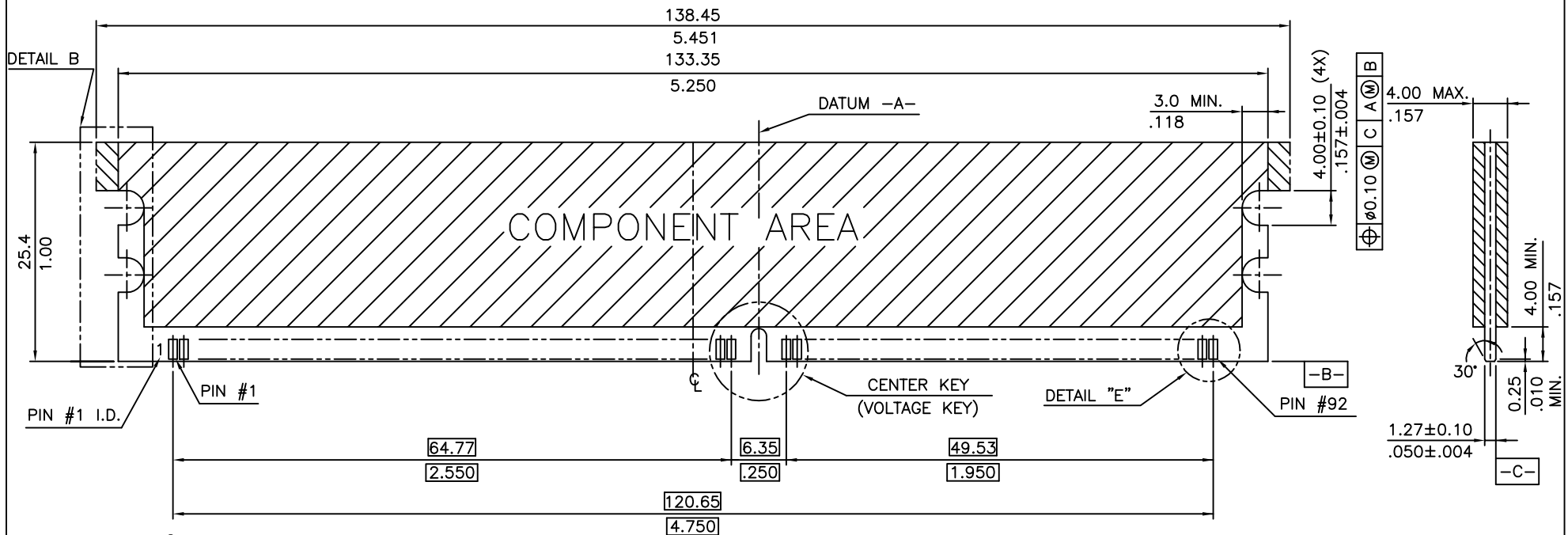


- NOTE:
- MATERIAL:  
 HOUSING: HIGH TEMPERATURE NYLON, GLASS FILLED UL94V-0 RATED, COLOR BLACK.  
 EJECTOR: HIGH TEMPERATURE NYLON, GLASS FILLED UL94V-0 RATED, COLOR NATURAL.  
 TERMINAL: COPPER ALLOY.
  - FCI LOGO TO BE APPROXIMATELY LOCATED AS SHOWN ON PRINT.
  - PRODUCT SPECIFICATION: GS-12-146
  - THE DATE CODE IS SHOWN "MM-DD-YY" FOR CUSTOMER SPECIAL REQUEST.
  - THIS PRODUCT MEETS EUROPEAN UNION DIRECTIVES AND OTHER COUNTRY REGULATIONS AS DESCRIBED IN GS-22-008.
  - THE HOUSING WILL WITH STAND EXPOSURE TO 260° PEAK TEMPERATURE FOR 10 SECONDS IN A WAVE SOLDER APPLICATION.

| mat'l. code |                | tolerances unless otherwise specified |          | CUSTOMER COPY |                    | FCI        |                | www.fciconnect.com                           |  |
|-------------|----------------|---------------------------------------|----------|---------------|--------------------|------------|----------------|--|--|
| ltr         | ecn no         | dr                                    | date     | linear        | .X ± 0.38/.015     | projection | title          | DDR 184P .050" 1-ROW, V/T ASS'Y PLASTIC POST |  |
| A           | T10170         | M W                                   | 06/20/01 |               | .XX ± 0.25/.010    |            |                | product family DDR                           |  |
| B           | T20047         | M W                                   | 02/05/02 | angles        | .XXX ± 0.15/.005   |            |                | code TWN                                     |  |
| C           | T20325         | M W                                   | 11/14/02 |               | 0° ±2'             |            |                | sheet 1 of 3                                 |  |
| D           | T03-0117       | M W                                   | 04/14/03 | dr            | MAGGIE WU 10/03/00 | MM         | product family | code   |  |
| E           | T03-0435       | M W                                   | 10/01/03 | enr           | BEN TSAO 10/03/00  | scale      | size           | dwg no                                       |  |
| F           | 0605-0489      | K W                                   | 11/21/05 | chr           | BEN TSAO 10/03/00  | 1:1        | A4             | 55660  |  |
|             |                |                                       |          | appd          | JENN TSAO 10/03/00 |            |                |  |  |
| sheet index | revision sheet | F                                     | C        | D             |                    |            |                | cage code                                    |  |
|             |                | 1                                     | 2        | 3             |                    |            |                | 526  |  |

Tous droits strictement reserves. Reproduction ou communication a des tiers interdite sous quelque forme que ce soit sans autorisation ecrite du propriétaire. Propriete de c FCI. Droits de reproduction FCI.

All rights strictly reserved. Reproduction or issue to third parties in any form whatever is not permitted without written authority from the proprietor. Property of FCI. Copyright FCI.

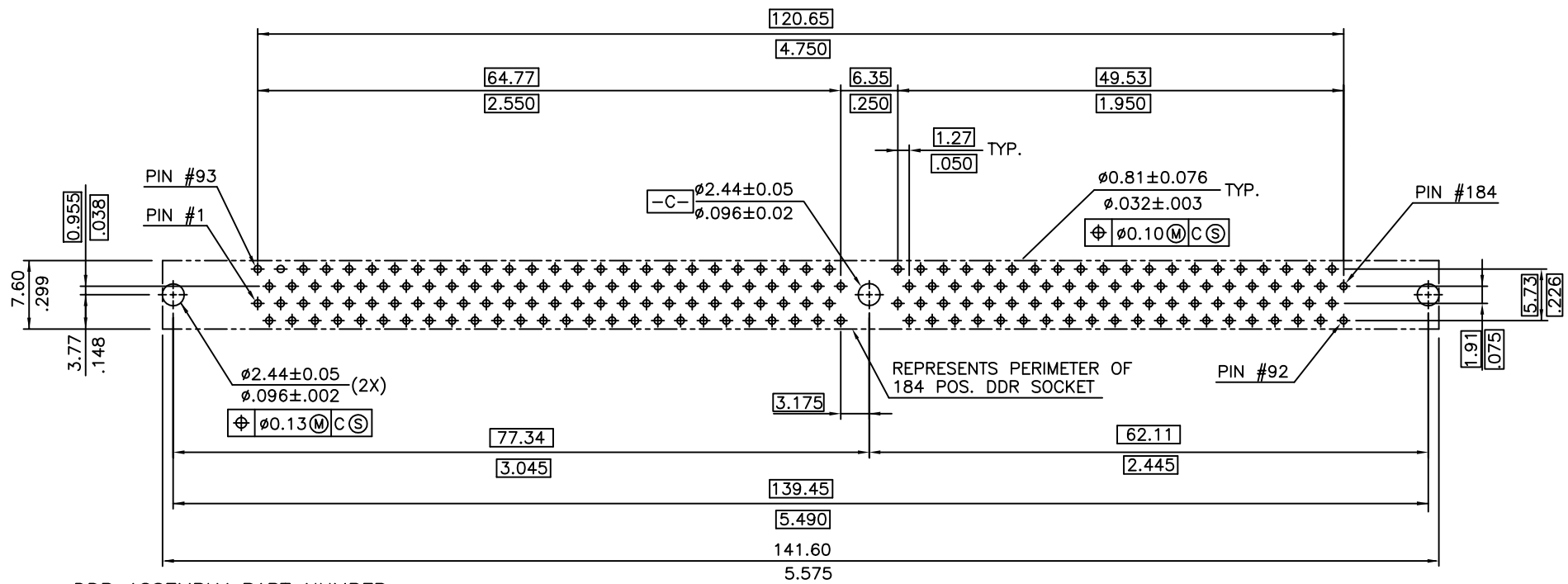


|            |             |
|------------|-------------|
| TYPE "R"   | 3.3 VOLT.   |
| TYPE "L"   | 2.5 VOLT.   |
| TYPE "C"   | 1.8 VOLT.   |
| CENTER KEY | DESCRIPTION |

|             |                |                                       |                    |               |   |                           |   |
|-------------|----------------|---------------------------------------|--------------------|---------------|---|---------------------------|---|
| mat'l. code |                | tolerances unless otherwise specified |                    | CUSTOMER COPY |   | FCI<br>www.fciconnect.com |   |
| ltr         | ecn no         | dr                                    | date               | linear        | .X ± 0.38/.015<br>.XX ± 0.25/.010<br>.XXX ± 0.15/.005 | projection                | title   |
| C           |                |                                       |                    | angles        | 0° ± 2'   | MM                        | DDR 184P .050" 1-ROW,<br>V/T ASS'Y PLASTIC POST |
|             |                | dr                                    | MAGGIE WU 10/03/00 |               |   | product family            | DDR   |
|             |                | enr                                   | BEN TSAO 10/03/00  |               |   | size                      | dwg no  |
|             |                | chr                                   | BEN TSAO 10/03/00  |               |   | scale                     | 55660   |
|             |                | appd                                  | JENN TSAO 10/03/00 |               |   | 1.5:1                     | code  |
| sheet index | revision sheet |                                       |                    |               |   |                           | TWN   |
|             |                |                                       |                    |               |   |                           | sheet 2 of                                      |

Tous droits strictement réservés. Reproduction ou communication a des tiers interdite sous quelque forme que ce soit sans autorisation écrite du propriétaire. Propriété de c FCI. Droits de reproduction FCI.

All rights strictly reserved. Reproduction or issue to third parties in any form whatever is not permitted without written authority from the proprietor. Property of FCI. Copyright FCI.



DDR ASSEMBLY PART NUMBER

5 5 6 6 0 - □ □ □ □ □

RECOMMENDED CIRCUIT BOARD HOLE LAYOUT

- STYLE
- 1 : FOR 3.3 VOLT.
  - 2 : FOR 2.5 VOLT.
  - 3 : FOR 1.8 VOLT.
- RESERVED
- 0

PLATING

| CODE | CONTACT                    | SOLDERTAIL                      | UNDERPLATE                              | CODE | CONTACT                    | SOLDERTAIL                      | UNDERPLATE                              |
|------|----------------------------|---------------------------------|---|------|----------------------------|---------------------------------|---|
| 2    | 15μ" (0.38μm)<br>MIN. GOLD | 100μ" (2.54μm)<br>MIN. TIN/LEAD | 50μ" (1.27μm)<br>MIN. NICKEL<br>OVERALL | 7LF  | 15μ" (0.38μm)<br>MIN. GOLD | 100μ" (2.54μm)<br>MIN. 100% TIN | 50μ" (1.27μm)<br>MIN. NICKEL<br>OVERALL |
| 3    | 30μ" (0.76μm)<br>MIN. GOLD |                                 |   | 8LF  | 30μ" (0.76μm)<br>MIN. GOLD |                                 |   |
| 4    | GOLD FLASH                 |                                 |   | 9LF  | GOLD FLASH                 |                                 |   |

TAIL LENGTH

| CODE | DIM. "B"     | TOLERANCE     |
|------|--------------|---------------|
| 1    | 2.29<br>.090 | ±0.25<br>±.01 |
| 2    | 2.79<br>.110 | ±0.25<br>±.01 |
| 3    | 2.67<br>.105 | ±0.25<br>±.01 |
| 4    | 3.05<br>.120 | ±0.25<br>±.01 |

COLOR OF HOUSING AND EJECTOR

0 : BLACK HOUSING + IVORY EJECTOR

|             |                |    |      |                                       |                  |               |   |   |  |
|-------------|----------------|----|------|---------------------------------------|------------------|---------------|---|---|--|
| mat'l. code |                |    |      | tolerances unless otherwise specified |                  | CUSTOMER COPY |   | <br>www.fciconnect.com                              |  |
| ltr         | ecn no         | dr | date | linear                                | .X ± 0.38/.015   |               | projection  | title   |  |
| D           |                |    |      |                                       | .XX ± 0.25/.010  |               |   | <br>DDR 184P .050" 1-ROW,<br>V/T ASS'Y PLASTIC POST |  |
|             |                |    |      |                                       | .XXX ± 0.15/.005 |               |   | product family DDR<br>size dwg no<br>code TWN       |  |
|             |                |    |      | angles                                | 0° ±2'           |               | <br>MM<br>scale 1.5:1<br>A4                               | product family DDR<br>size dwg no<br>code TWN       |  |
|             |                |    |      | dr                                    | MAGGIE WU        | 10/03/00      |   | product family DDR<br>size dwg no<br>code TWN       |  |
|             |                |    |      | enr                                   | BEN TSAO         | 10/03/00      |   | product family DDR<br>size dwg no<br>code TWN       |  |
|             |                |    |      | chr                                   | BEN TSAO         | 10/03/00      | product family DDR<br>size dwg no<br>code TWN             |   |  |
|             |                |    |      | appd                                  | JENN TSAO        | 10/03/00      | product family DDR<br>size dwg no<br>code TWN             |   |  |
| sheet index | revision sheet |    |      |                                       |                  |               | cage code<br>STATUS: Released 526<br>Printed Jun 02, 2008 |   |  |